



By appointment to The Royal Danish Court

morsø

Danish design forever

1400 - SERIES

1440 - with rib panels



THE 1400 - SERIES

The **Morsø 1400** series is the quintessence of a charming wood-burning stove. Constructed using only the highest quality robust cast iron, this small, powerful, clean burning non-catalytic stove is the perfect heat source for smaller spaces. Developed with both rear and bottom heat shields for reduced clearances and better heat convection.

Heats up to 60-90m²

1410



THE 8842

The **Morsø 8842** is one of the most powerful Morsø stoves. Manufactured from cast-iron the 8842 comes complete with the latest in combustion technology. Characterised by its clean and simple lines that offer a seamless appearance that is both rustic yet exclusive, this stove provides a source of warmth and comfort time and time again. Externally the 8842 provides you with a simple one touch operating lever, a self closing glass door and an elegant extended cool to the touch door handle.

Heats up to 100-150m²





THE 7900-SERIES

The **Morso 7900** features a large panoramic glass window on the front of the stove and double-glazed windows on its sides to naturally bring the life of the flames into the room. Behind the glass a superior air wash system blows hot air across the inside of the glass to keep the viewing area clean.

The 7900 can become even more efficient with the introduction of the heat storage system. The heat storage system perfectly integrates on top of the 7900 fireplace, and enables you to store heat and emits it slowly for a longer of period of time.

Heats up to 100-150m²



7948

7943 - with low top

7943 - with high top



7642

7600 - SERIES

THE 7600-SERIES

Morsø has worked with well known Danish designers to produce some stunning contemporary stoves that incorporate the latest advances in combustion technology, ensuring they are among the most efficient and clean burning stoves today. The **Morsø 7600** series is based on this design principle, burning with incredible cleanliness and efficiency.

This wood-burning fire is like a work of art that breathes. Constructed using only the highest quality robust cast iron its inspired character, circular shape and innovative design elements provide this fire with a personal touch with a soft organic finish.

Heats up to 100-120m²



7648

6600 - SERIES



6643

THE 6600-SERIES

Morsø created the **6600 series** with the concept of wanting something more than just a functional heating appliance. They wanted a challenging interpretation of style and function, and to set new standards.

The convector stove's artistic expression sets it apart from the crowd. It's combination of cast-iron, glass and elliptical shape is complimented by a unique double door maximising the glass area, and providing a 180-degree view of the flames.

Morsø craftsmen produce the finest cast-iron stoves in the world, and the Morsø 6600 is a convincing example of this, with its breathtaking beauty and supreme performance

Heats up to 100-120m²

6670 - wall mounted





6100 - SERIES

6148

THE 6100-SERIES

The **Morsø 6100** design is complete in every sense. It's form, construction and cast iron components blend naturally together.

Constructed using only the highest quality robust cast iron the stove provides a user friendly one-handle system for heat output control and a convenient open log storage cavity. A curved wide door allows easy access to the fuel bed. In addition to the simplistic operation, the design sets new standards for easy maintenance.

Heats up to 80-100m²



6143

S10 - SERIES



S10-40

THE S10-SERIES

The Morsø philosophy is to create the optimum combination of design, quality and materials, and their **S series** stoves are a convincing example of this.

A stylish, elegant and minimalist design with a focus on modern expression, the front of this stove is dominated by the beautiful large glass reflective door that is like a picture window to the flames.

Heats up to 90-120m²

S10 - 70 wall mounted



ORIGINAL ACCESSORIES

It's not just the wood-burning stove itself that emits the special atmosphere of warmth and comfort in your home

FIREWOOD BOX &
CANVAS WOOD CARRIER



LOOP LOG RING



CURVA WOOD CARRIER



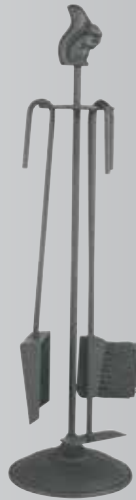
WOOD CARRIER



CONFORM FIRE TOOLS



CLASSIC FIRE TOOLS



ELLIPSE FIRE TOOLS



LOOP FIRE TOOL SET



COMPLETE FIRE TOOLS



CURVA POKER



CURVA FIRE TOOL SET



MORSØ LEATHER GLOVE



ASH & STORAGE BUCKET



MORSØ AXE



CLASSIC TRIVET

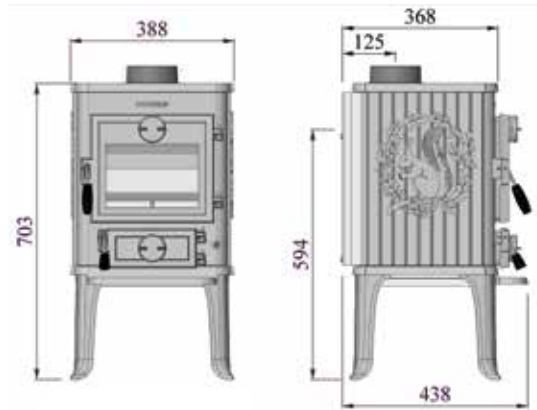


1410



Max. average heat output	9.6kW
Average efficiency	72%
Heats up	60-90 m ²
Chamber Size	31 cm
Flue exit top/rear fits to	Ø120 mm
Weight	75 kg
Emissions	1.8 g/kg
Clearances to Combustibles	
Sides	600 mm
Rear	150 mm
Corner	600 mm

Hearth Requirements (mm) (w)788 x (d)668 x (h)6
Depth includes a minimum of 300mm Front Clearance

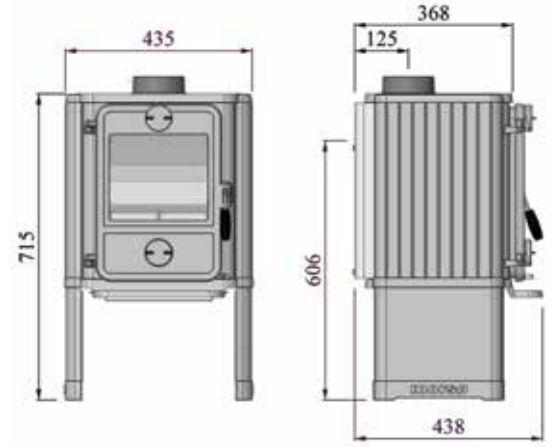


1440



Max. average heat output	9.6kW
Average efficiency	72%
Heats up	60-90 m ²
Chamber Size	31 cm
Flue exit top/rear fits to	Ø120 mm
Weight	90 kg
Emissions	1.8 g/kg
Clearances to Combustibles	
Sides	230 mm
Rear	150 mm
Corner	150 mm

Hearth Requirements (mm): (w)665 x (d)720 x (h)3.5
Depth includes a minimum of 300mm Front Clearance

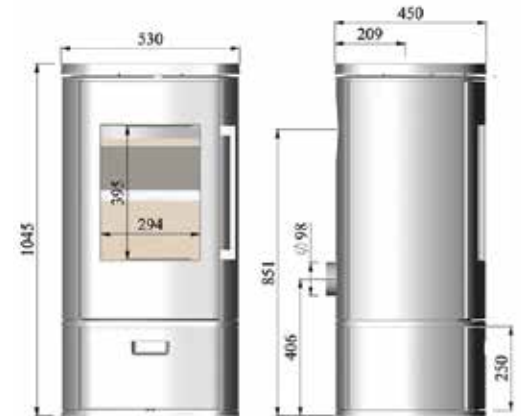


8842



Max. average heat output	5.7kW
Average efficiency	69%
Heats up	100-150 m ²
Chamber Size	35 cm
Flue exit top/rear fits to	Ø150 mm
Weight	179 kg
Emissions	0.8 g/kg
Clearances to Combustibles	
Sides	400 mm
Rear	100 mm
Corner	225 mm

Hearth Requirements (mm): (w)740 x (d)925 x (h)6
Depth includes a minimum of 450mm Front Clearance

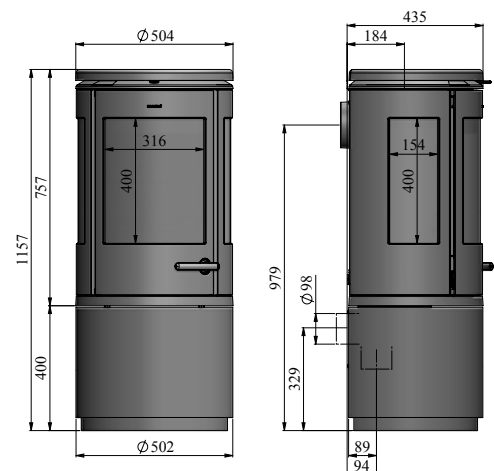


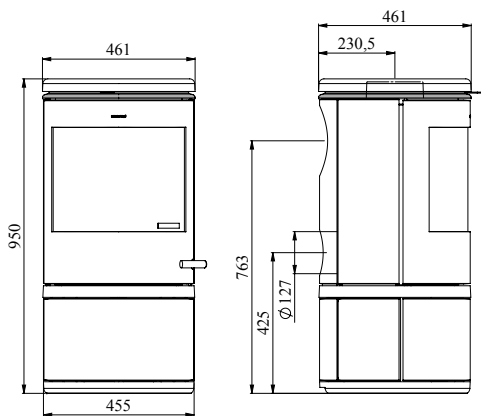
7943



Max. average heat output	9.4kW
Average efficiency	73%
Heats up	100-150 m ²
Chamber Size	36 cm
Flue exit top/rear fits to	Ø150 mm
Weight	162 kg
Emissions	1.3 g/kg
Clearances to Combustibles	
Sides	625 mm
Rear	135 mm
Corner	400 mm

Hearth Requirements (mm): (w)900 x (d)775 x (h)6
Depth includes a minimum of 350mm Front Clearance



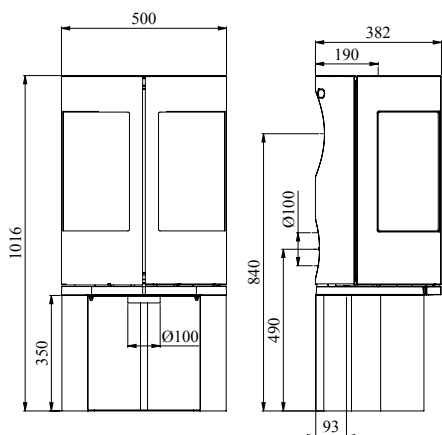


Max. average heat output	5.1kW
Average efficiency	65%
Heats up	100-120 m ²
Chamber Size	33 cm
Flue exit top/rear fits to	Ø150 mm
Weight	156 kg
Emissions	2.2 g/kg
Clearances to Combustibles	
Sides	300 mm
Rear	100 mm
Corner	100 mm

Hearth Requirements (mm): (w)860 x (d)850 x (h)6
Depth includes a minimum of 300mm Front Clearance



7642

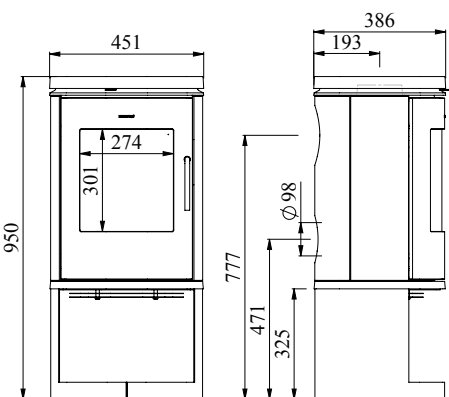


Max. average heat output	7.0kW
Average efficiency	64%
Heats up	100-120 m ²
Chamber Size	36 cm
Flue exit top/rear fits to	Ø150 mm
Weight	120 kg
Emissions	1.5 g/kg
Clearances to Combustibles	
Sides	650 mm
Rear	275 mm
Corner	300 mm

Hearth Requirements (mm): (w)860 x (d)680 x (h)6
Depth includes a minimum of 300mm Front Clearance



6643

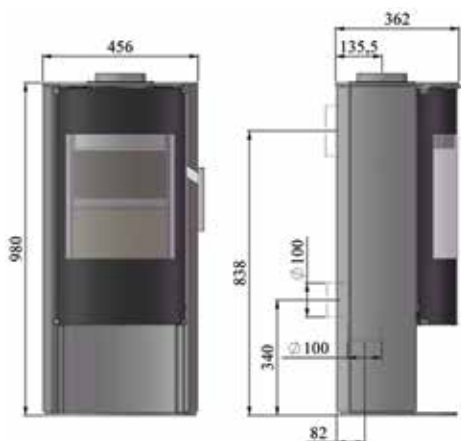


Max. average heat output	6.0kW
Average efficiency	65%
Heats up	80-100 m ²
Chamber Size	31 cm
Flue exit top/rear fits to	Ø150 mm
Weight	114 kg
Emissions	1.5 g/kg
Clearances to Combustibles	
Sides	425 mm
Rear	150 mm
Corner	210 mm

Hearth Requirements (mm): (w)712 x (d)685 x (h)6
Depth includes a minimum of 300mm Front Clearance



6143



Max. average heat output	5.4kW
Average efficiency	68%
Heats up	90-120 m ²
Chamber Size	34 cm
Flue exit top/rear fits to	Ø150 mm
Weight	125 kg
Emissions	1.4 g/kg
Clearances to Combustibles	
Sides	400 mm
Rear	100 mm
Corner	175 mm

Hearth Requirements (mm): (w)850 x (d)762 x (h)6
Depth includes a minimum of 300mm Front Clearance



S10-40



MORSØ OUTDOOR LIVING BROCHURE

Welcome to Morsø Forno - and welcome to the special feeling, wonder and freedom of outdoor living. The Morso Forno cast iron outdoor oven makes you feel entirely at home with the art of outdoor cooking. The flames crackle, as the Forno emanates a decadent warmth and a delicious aroma that only a real wood fire can bring. Ask your retailer for a brochure today!

castworks
home heating specialists

DISTRIBUTOR FOR


By appointment to The Royal Danish Court
morsø

The information in this brochure is to assist you in your choice of a suitable fire. It is not intended to be all the information required to install the fire and does not replace the installation manual which provides more detailed information. In the interest of product development Morsø reserves the right to change specifications without prior notice. Overseas models may be shown.