

OFF WD SERIES

The smart way to build a brilliant open fireplace!



FIREFOX OFF WD® System the Pre-fabricated fireplace construction system which costs less than a conventional masonry fireplace and is many times more effective.

Whether you're building a new home or wanting a fireplace in a room of an existing home, the fully integrated system allows you the versatility to create a brilliantly effective open fireplace in the architectural style that you desire - virtually anywhere very cost efficiently.

The system can be positioned on a timber floor without the need for special foundations and also be framed around with timber and normal wall board so a full brick chimney is not necessary.

A simple non-combustable enclosure around the unit is all that's required and from then on the architectural options are virtually limitless.

FIREFOX OFF WD® System, the smart way to build a brilliantly effective open fireplace that will provide years of fireside pleasure.



Just Brilliant!



Engineered to work brilliantly!

Apart from being economical to install the OFP System produces brilliant radiant and convected heat much more effective than a conventional masonry fireplace.

A unique heat exchange design traps hot air which would otherwise be lost up the chimney and circulates it through natural convection into the room so the heat is kept inside where you want it.

The built in damper further enhances the units overall efficiency by allowing you to regulate the rate of burning and further reduce heat loss.

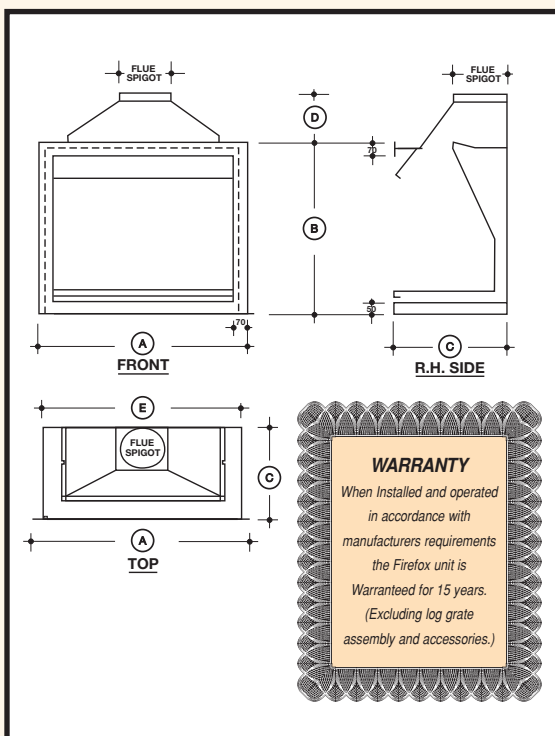


It's unique log burning grate is designed to maximise heat build up and radiant heat out put.

The grate also features a slide out ash pan for much simpler ash disposal. A safety screen is also available which neatly slides away under the unit when not in use.

FIREFOX OFP WD®, the smart way to build a brilliantly effective open fireplace that will provide many years of fireside pleasure.

A decorative Gas log fire kit is also available.



OFP "WD" SERIES FIREBOX & FLUE DIMENSIONS								
MODEL	DIMENSION					FLUE Ø		
	A	B	C	D	E	INNER	OUTER	
OFP 3.0 WD	780	706	450	205	680	9"(229)	11"(280)	
OFP 3.5 WD	900	715	475	230	800	10"(254)	12"(305)	
OFP 4.0 WD	1020	780	500	260	920	11"(280)	13"(330)	

OFP "WD" SERIES HEATING CAPACITY (WOOD SYSTEM)

3.0 WD Up to 165m ³	3.5 WD Up to 185m ³	4.0 WD Up to 200m ³
---------------------------------------	---------------------------------------	---------------------------------------

The Firefox unit has been tested and certified to Australian Standard AS2918-1990 for safe Installations and AS4013 for Low Emissions (Exempt).



Australian Made. Pat. App. Pend.

Distributed By: